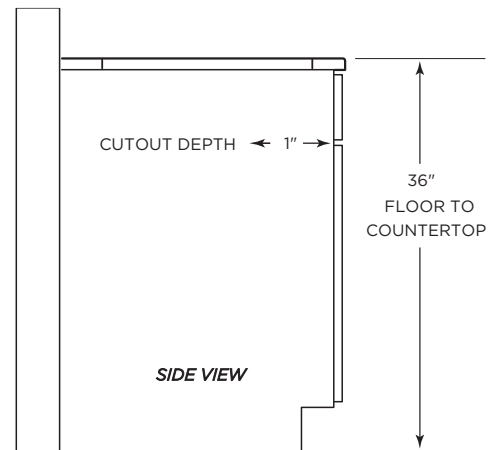
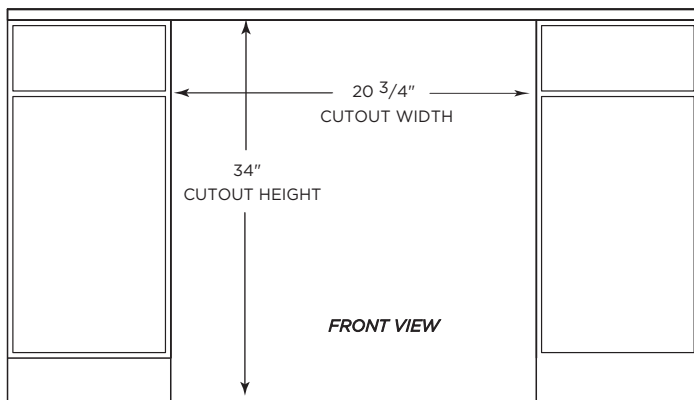
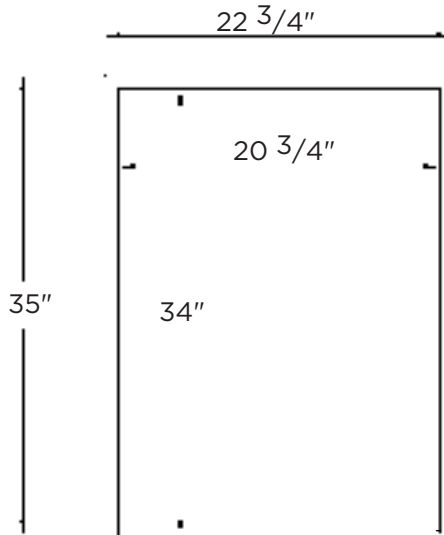


CBIR21TK INSTALL GUIDE

DIMENSIONAL RENDERINGS



Overall Product Dimensions			
Model No.	Height	Width	Depth
CBIR21TK	35"	22 3/4"	1"

Cutout Dimensions for Island			
Model No.	Height	Width	Depth
CBIR21TK	34"	20 3/4"	1"

Install Notes:

- ✓ 2 anchor points are located on each side of the trims interior frame (top, left and right)
- ✓ Due to wide variance of possible building materials, anchors are not included
- ✓ When inserting your anchors be sure to use a framing square to ensure the door is not pulled out of square
- ✓ Additional framing and/or support underneath the rear (hanging portion) of the cabinet is recommended
- ✓ These specs are accurate but we always suggest having the product physically on site to ensure full understanding of how this product will coordinate with your build