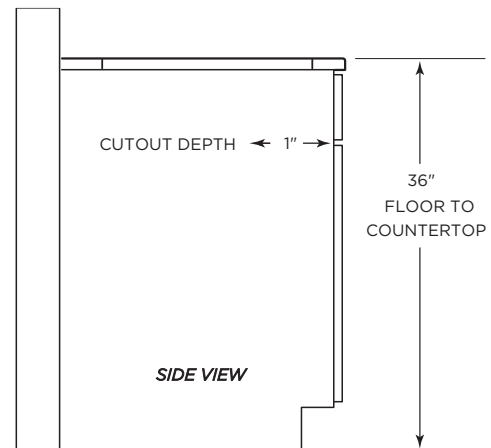
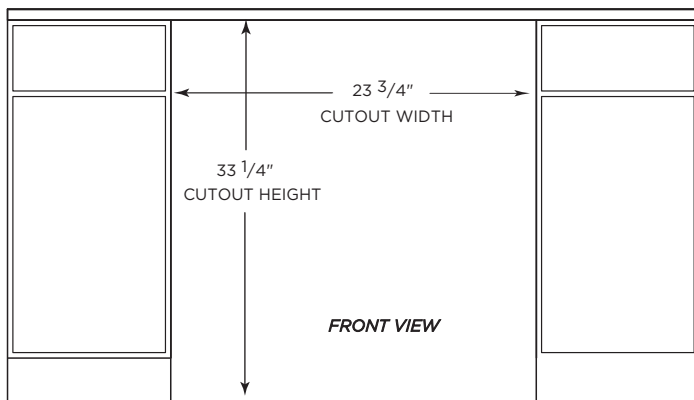
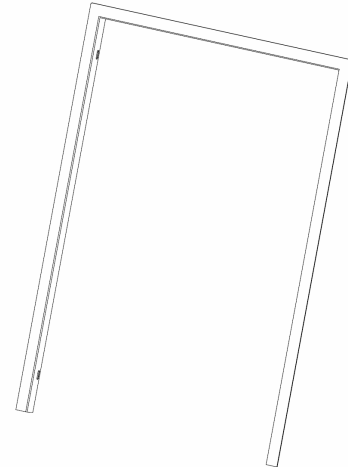
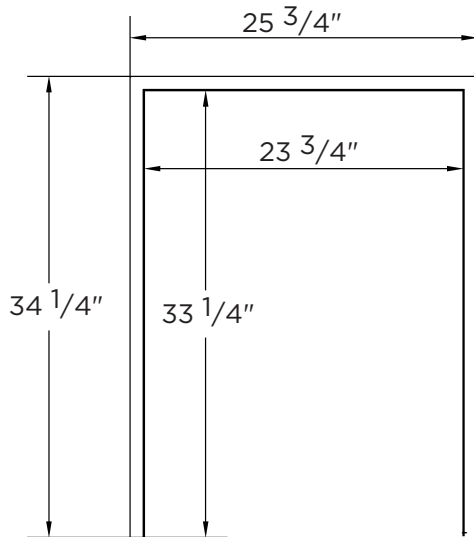


# C1BIR24TK INSTALL GUIDE

## DIMENSIONAL RENDERINGS



Overall Product Dimensions			
Model No.	Height	Width	Depth
C1BIR24TK	34 1/4"	25 3/4"	1"

Cutout Dimensions for Island			
Model No.	Height	Width	Depth
C1BIR24TK	33 1/4"	23 3/4"	1"

### Install Notes:

- ✓ 2 anchor points are located on each side of the trims interior frame (top, left and right)
- ✓ Due to wide variance of possible building materials, anchors are not included
- ✓ When inserting your anchors be sure to use a framing square to ensure the door is not pulled out of square
- ✓ Additional framing and/or support underneath the rear (hanging portion) of the cabinet is recommended
- ✓ These specs are accurate but we always suggest having the product physically on site to ensure full understanding of how this product will coordinate with your build