

#### Liner Features:

- Grill matching sizes
- Extra deep 30" design for outdoor use
- 304 stainless steel construction
- UL Rated
- Variable speed control with lighted On/Off
- Heat sentry for greater reliability
- Bright halogen lighting
- Easy to clean baffle filters
- Removable grease drip rail
- 1200 CFM BLOWER SOLD SEPARATELY (MODEL: C1BLOW1200)

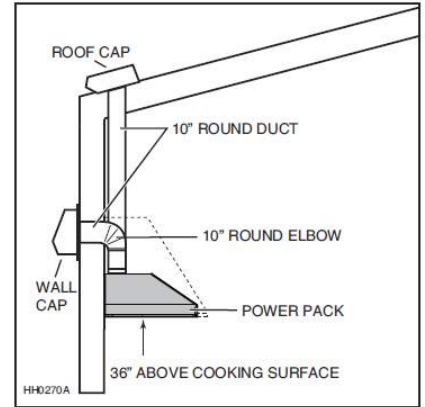
#### Liner Model Numbers:

- 36" Liner - Model No. C1LINER36
  - Use for grills 30" wide or less
- 42" Liner - Model No. C1LINER42
  - Use for grills 36" wide or less
- 48" Liner - Model No. C1LINER48
  - Use for grills 42" wide or less

\*For complete installation, the consumer will need the body (hood or insert) AND the blower. Blower is sold separately.

# LINER VENTILATION

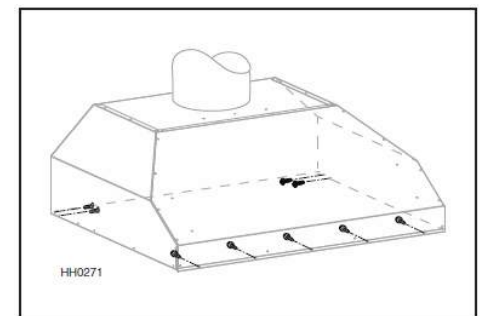
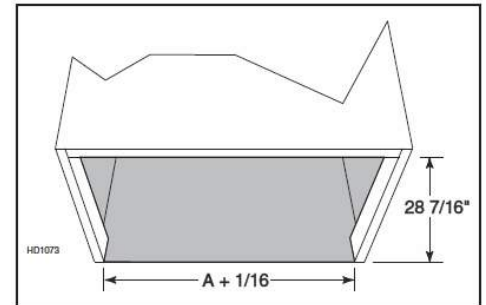
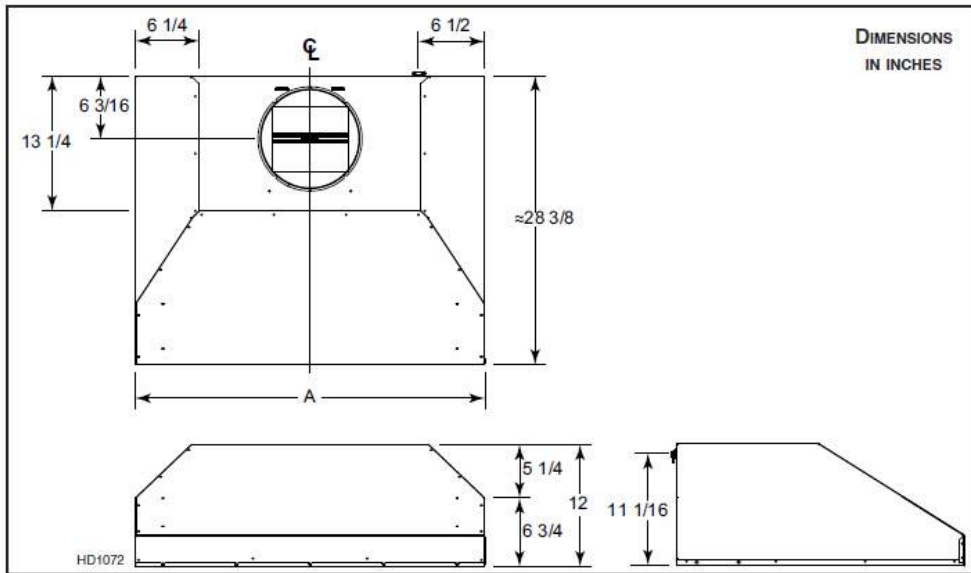
## DIMENSIONAL RENDERINGS



- ✓ The custom hood must be constructed to fit the size and shape of the liner (power pack). See chart and illustration below for details.
- ✓ Since the liners mounting holes are located on the front and rear sides, plan to install a wood frame in the front and sides to support the liner using the screws provided in the parts bag.

SIZE	TOTAL WEIGHT	POWER PACK WIDTH (A)*
36"	66 LB.	34 7/16"
42"	73 LB.	40 7/16"
48"	80 LB.	46 7/16"

\*Includes rivet heads.



- ✓ The grill you are using must be placed at least 36" from the ground
- ✓ The bottom of the chimney or insert, must be at a minimum of 36" from the grill cooking surface, or 6' from the ground
- ✓ Flue extensions allow for installations into ceilings from 8' to 12' in height

**Important Note to Installer:** This file is not intended to replace your Owners' Manual which contains specific safety requirements and consumer guidelines. Please refer to your Owners' Manual prior to installing or operating your hood.